

FUELTANK



Vmax 1700



FUELTANK, is a fuel tank which volume has been optimized for YAMAHA VMAX 1700. This product is born from a detailed and accurate analysis based on the empty spaces on the bike. Through our expertise, these wasted spaces were used to improve the capacity of the fuel tank up to 25L / 6.6 USGal ($\pm 5\%$).

FUELTANK consists of a complete, easy and quick kit to install at the location of the original tank. No modification of the bike is required and the original parts remain intact.

With **FUELTANK**, extend your rides!



25L/6,6 USGal

SPECIFICATIONS



QUICK AND EASY INSTALLATION



QUALITÉ

QUALITY

QUALITY



TECHNICAL



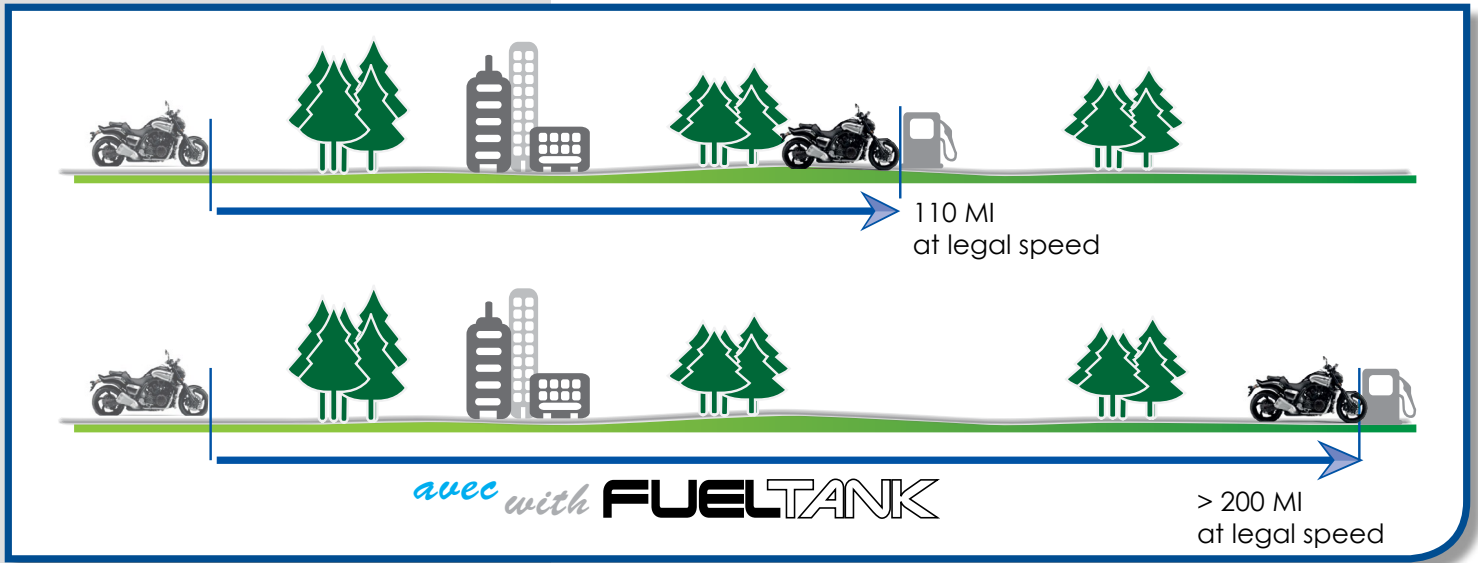
L3K.Engineering :17851 Biscayne Blvd. AVENTURA, FL 33160
<http://vmax-fuel-tank.com/>



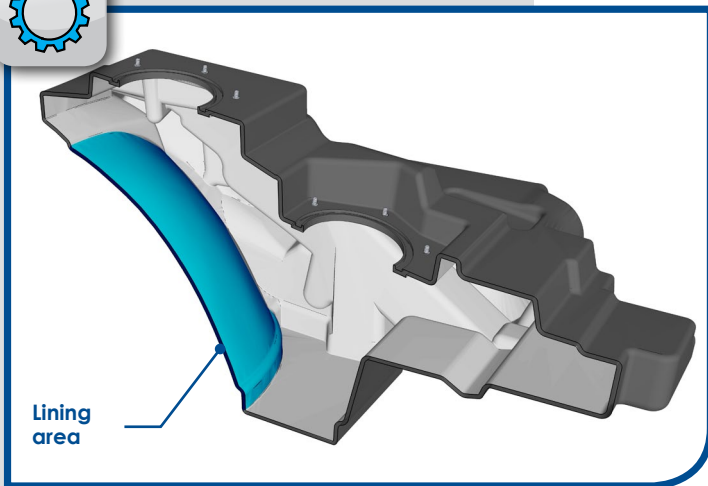


SPECIFICATIONS

- Useful volume: 25L / 6.6 USGal (±5%)



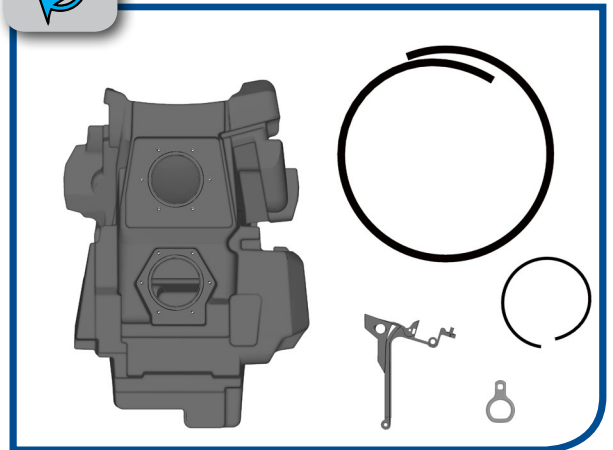
TECHNICAL



Suitable material. Crosslinked PE

- ! - Developed for a 1700 VMAX stock configuration without any modifications or tuning,
- Not compatible with «lowering suspension kit»,
- Use of this product is meant for competition on closed racing tracks only,
- Product is subject to future changes and modifications, Mounting and installation by a professional mechanic is recommended.

QUICK AND EASY INSTALLATION



The kit includes :

- 1 Tank.
- 1 support for left lateral cover.
- 1 Brake hose.
- 1 Fuel hose.
- 1 lever.

The design and geometry of the external side of the tank was worked carefully to keep the aesthetic lines of the bike.

Reinforcement: over-thickness on risk area and thermal protection. The fueltank is GUARANTEED 1 year.



QUALITY



INSTRUMENT AND CONTROL FUNCTIONS

Fuel

EAU13213

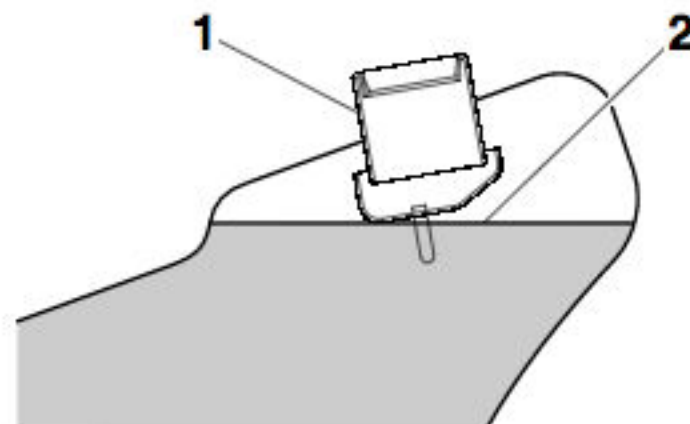
Make sure there is sufficient gasoline in the tank.

EWA10882

WARNING

Gasoline and gasoline vapors are extremely flammable. To avoid fires and explosions and to reduce the risk of injury when refueling, follow these instructions.

1. Before refueling, turn off the engine and be sure that no one is sitting on the vehicle. Never refuel while smoking, or while in the vicinity of sparks, open flames, or other sources of ignition such as the pilot lights of water heaters and clothes dryers.
2. Do not overfill the fuel tank. Stop filling when the fuel reaches the bottom of the filler tube. Because fuel expands when it heats up, heat from the engine or the sun can cause fuel to spill out of the fuel tank.



1. Fuel tank filler tube
2. Maximum fuel level

3. Wipe up any spilled fuel immediately. **NOTICE: Immediately wipe off spilled fuel with a clean, dry, soft cloth, since fuel may deteriorate painted surfaces or plastic parts.** [ECA10072]
4. Be sure to securely close the fuel tank cap.

EWA15152

WARNING

Gasoline is poisonous and can cause injury or death. Handle gasoline with care. Never siphon gasoline by mouth. If you should swallow some gasoline or inhale a lot of gasoline vapor, or get some gasoline in your eyes, see your doctor immedi-

ately. If gasoline spills on your skin, wash with soap and water. If gasoline spills on your clothing, change your clothes.

EAU54601

Recommended fuel:

Premium unleaded gasoline (Gasohol (E10) acceptable)

Fuel tank capacity:

15.0 L (3.96 US gal, 3.30 Imp.gal)

Fuel reserve amount (when the fuel level warning light comes on):

3.9 L (1.03 US gal, 0.86 Imp.gal)

ECA11401

NOTICE

Use only unleaded gasoline. The use of leaded gasoline will cause severe damage to internal engine parts, such as the valves and piston rings, as well as to the exhaust system.

Your Yamaha engine has been designed to use premium unleaded gasoline with a research octane number of 95 or higher. If knocking (or pinging) occurs, use a gasoline of a different